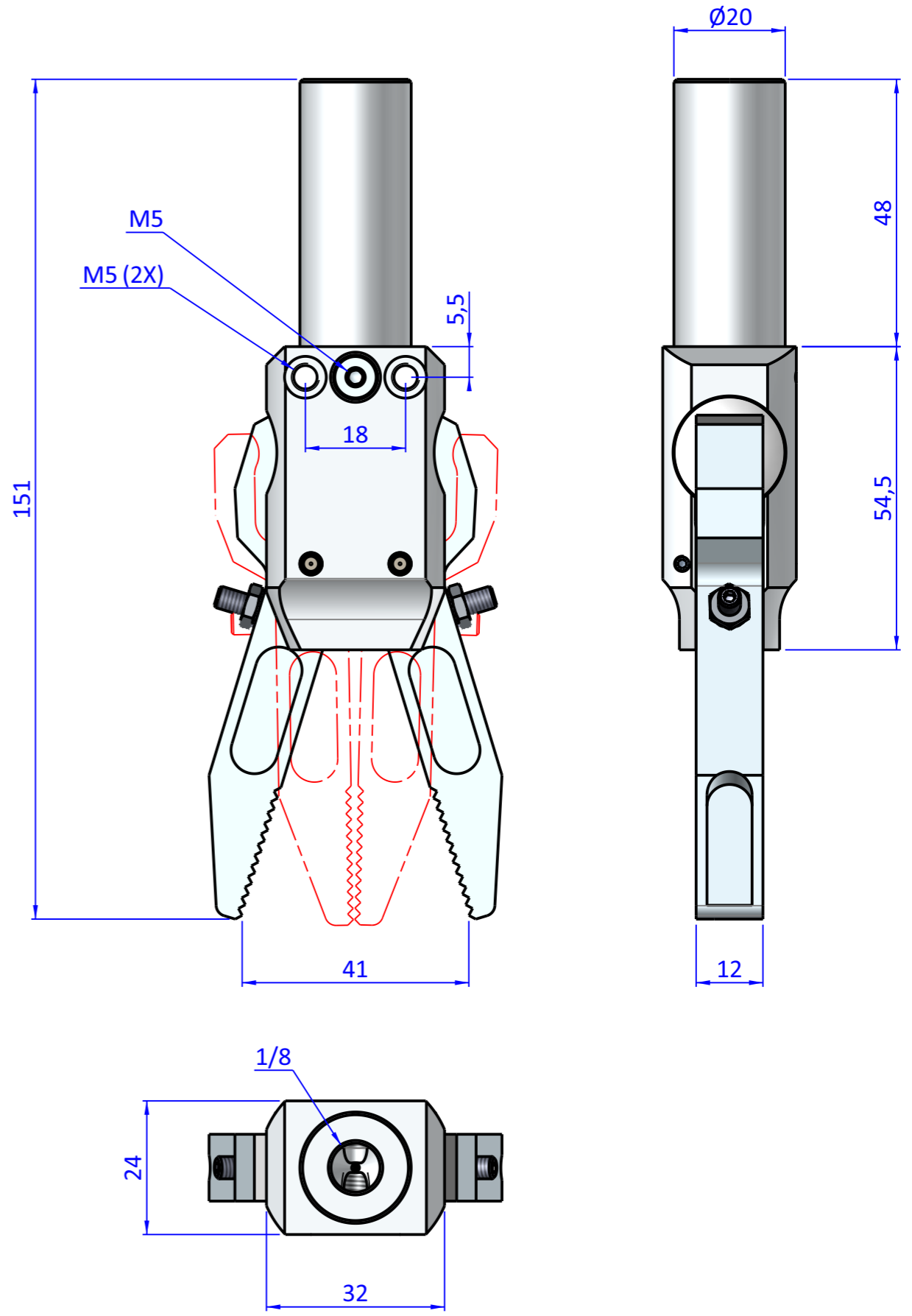
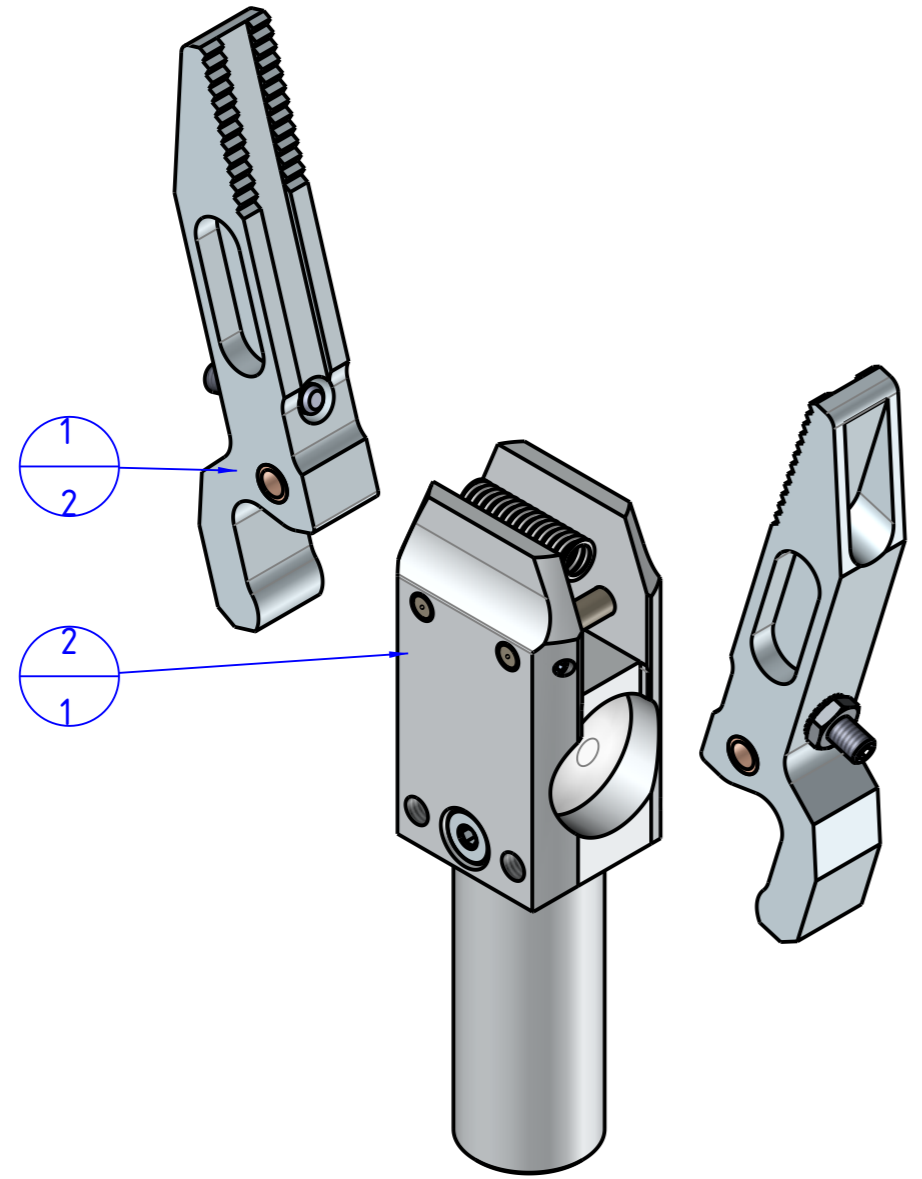

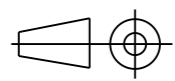


THE PROPERTY OF THE DRAWING IS ESTABLISHED BY LAW. IT IS FORBIDDEN TO PRODUCE OR SHOW IT TO THIRD PART. WITHOUT A WRITTEN AGREEMENT.

Item	Name	Q.ty
1	GTS.04.12.L	2
2	GTS.04.G18	1



Format A3
UNI 936-76

 FPS <small>FPSERVICES AUTOMATION</small>			DESIGNED FROM FPS Automation	REVIEW A
GENERAL TOLERANCE UNI - ISO 2768 CLASSE f	DESCRIPTION <div style="text-align: center; font-weight: bold;">CA.GTS.1004.12L</div>	DATE 25/05/2023	WEIGHT 0,239kg	CODE CA.GTS.1004.12L